

LED Light Source - LUMISTAR

High Power LED - Track Light



MODEL NO.
MODEL NO.RICO-TR10-C

Applications: In door use only

Optical Performance:

Color Temperature	7000K
Beam Angle 2θ 1/2(°)	65°
Intensity of Illumination	210Lx@1 m distance
LED Output Lumens	270lm(Typ)

Electric Specification

Input Voltage	100-240VAC 47~63Hz
LED Consumption	10W max
Power Consumption	12W max

Operation manual:

The track light lamp can be light-up by 90~240VAC directly.

Safety warning:

Safety instruction: The product has designed by high-voltage isolated circuit, so no safety concern
Cautions: This product is designed for In-door only, so don't expose it on out-door environment except that there has shield material.

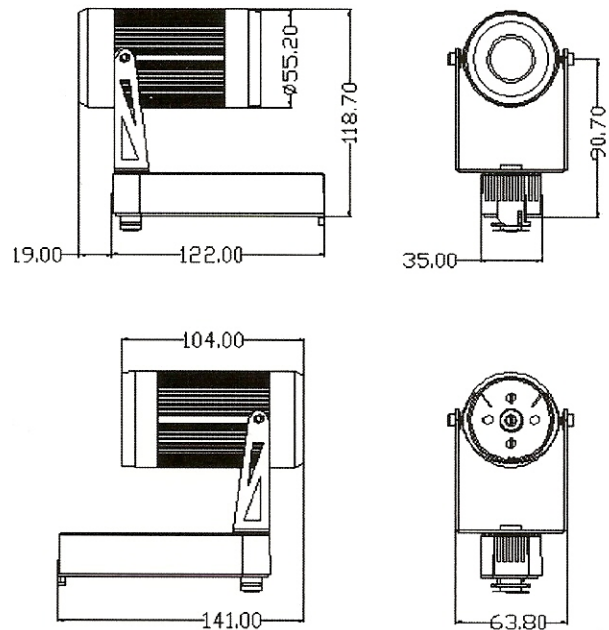
Warning: The surface temperature will reach to around 54°C (@Ta=25°C)

Installation guide:

Rotate the connector part and install into the track for connection .

Instruction: This lamp's connector can be directly connected the track where has 90~240VAC input.

Average life time: 10,000 hours in min.



Mechanical Specification

Housing	Aluminum, lens/optical glass
Outline Dim	141*119*64
Net Weight	about 480g

Environment Specification

Operation Temperature	0~+40°C
Humidity Range	20% ~ 90%