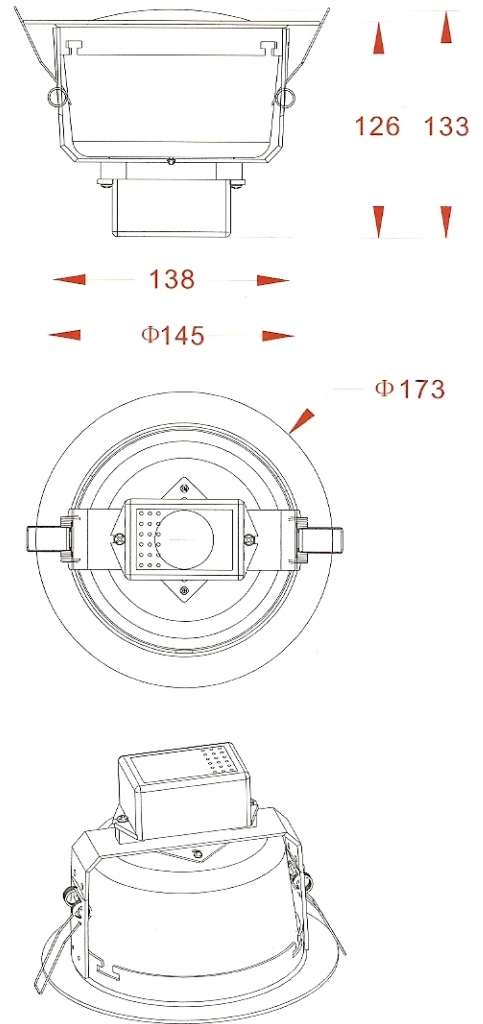


LED Light Source - LUMISTAR

High Power LED - Down Light



MODEL NO. RICO-5-96-C
RICO-5-96-W

Optical Performance

Model NO.	RICO-5-96-C	RICO-5-96-W
Color Temperature	7000K	3200K
LED Output Lumens	600lm	480lm
Intensity of Illumination	215Lx@1 m distance	
Beam Angle 2θ 1/2(°)	<90°	

Electric Specification

Input Voltage	90-240VAC 47~63 Hz
LED Consumption	10W max
Power Consumption	12W max

Mechanical Specification

Housing	Aluminum, lens/glass
Outline Dim	Φ 173*133mm
Net Weight	about 400g
Surface Temperature	50°C (@Ta=25°C)

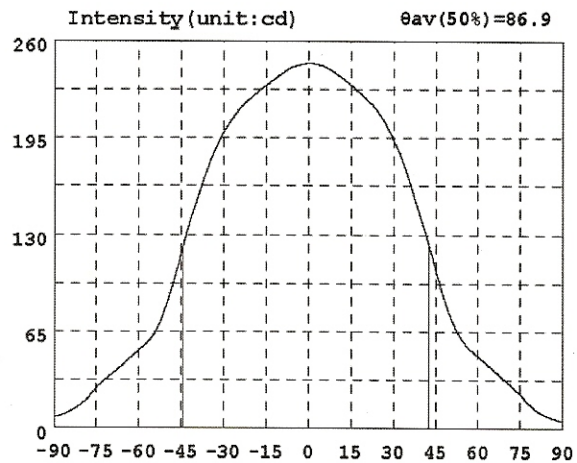
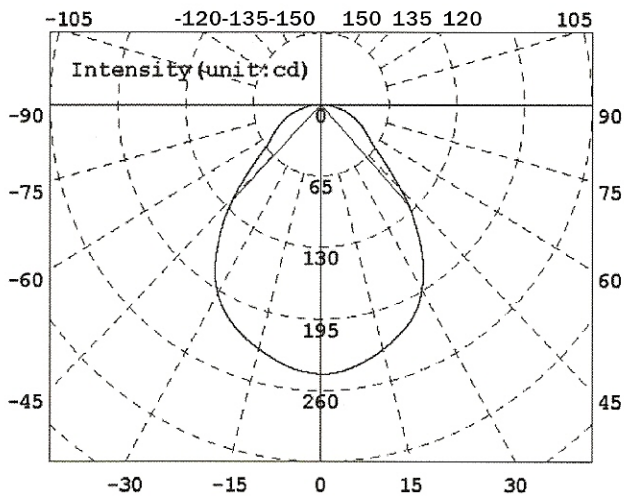
Environment Specification

Operation Temp	0~+40°C
Humidity Range	20% ~ 90%

Average life time: 10,000 hours in min.

LED Light Source - LUMISTAR

High Power LED - Down Light



Intensity data:(deg , cd) C0-180

A	I	A	I	A	I	A	I	A	I	A	I
-90.0	7.7	-57.0	57.4	-24.0	214.8	9.0	239.0	42.0	127.7	75.0	23.1
-87.0	9.0	-54.0	65.3	-21.0	220.5	12.0	234.9	45.0	107.1	78.0	17.0
-84.0	11.7	-51.0	79.0	-18.0	225.6	15.0	230.5	48.0	87.6	81.0	12.1
-81.0	15.2	-48.0	96.7	-15.0	230.0	18.0	225.4	51.0	71.8	84.0	8.9
-78.0	20.3	-45.0	117.2	-12.0	234.3	21.0	219.9	54.0	60.7	87.0	6.8
-75.0	27.2	-42.0	137.8	-9.0	238.6	24.0	213.7	57.0	53.8	90.0	5.3
-72.0	32.6	-39.0	155.0	-6.0	242.2	27.0	205.2	60.0	48.8		
-69.0	37.2	-36.0	172.0	-3.0	243.9	30.0	193.9	63.0	43.9		
-66.0	42.0	-33.0	186.9	0.0	244.9	33.0	180.7	66.0	38.7		
-63.0	47.6	-30.0	198.4	3.0	244.4	36.0	164.4	69.0	33.6		
-60.0	52.5	-27.0	207.4	6.0	242.4	39.0	146.0	72.0	28.7		

Electricity Parameter:

Current I: 0.50A
 Voltage V: 21.30V
 Power: 10.60W
 PF: 1.00

Optical Parameter (Test distance:1.5m):

Luminous flux: $\Phi_{\text{eff}} = 513.6\text{lm}$ Efficiency: $\text{Eff}=48.33\text{lm/W}$

Diffuse angle: $\theta(25\%): 109.1^\circ$ $\theta(50\%): 86.9^\circ$ $\theta(75\%): 66.0^\circ$ $\theta(50\%): 86.9^\circ$

$I_{\text{max}}=244.9\text{cd}$ (C=0.0°,G=0.0°)

C0-180Plane $I_{\text{max}}= 244.9\text{cd}$ (G=0.0°)